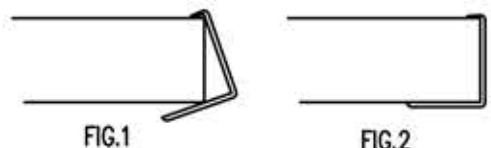
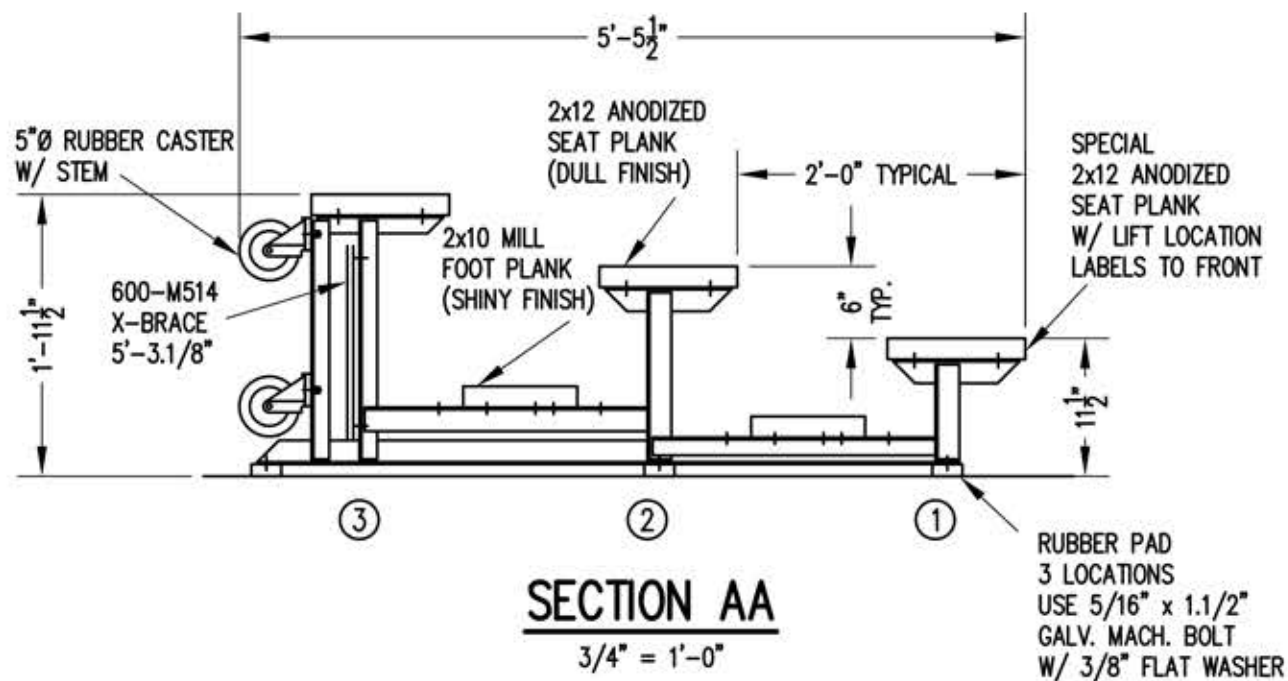
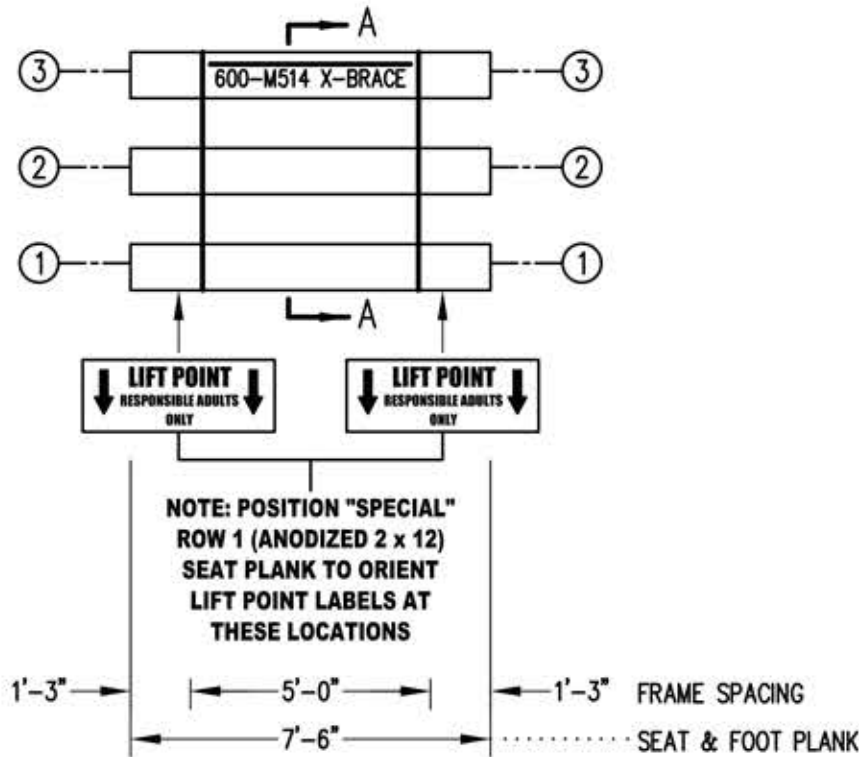
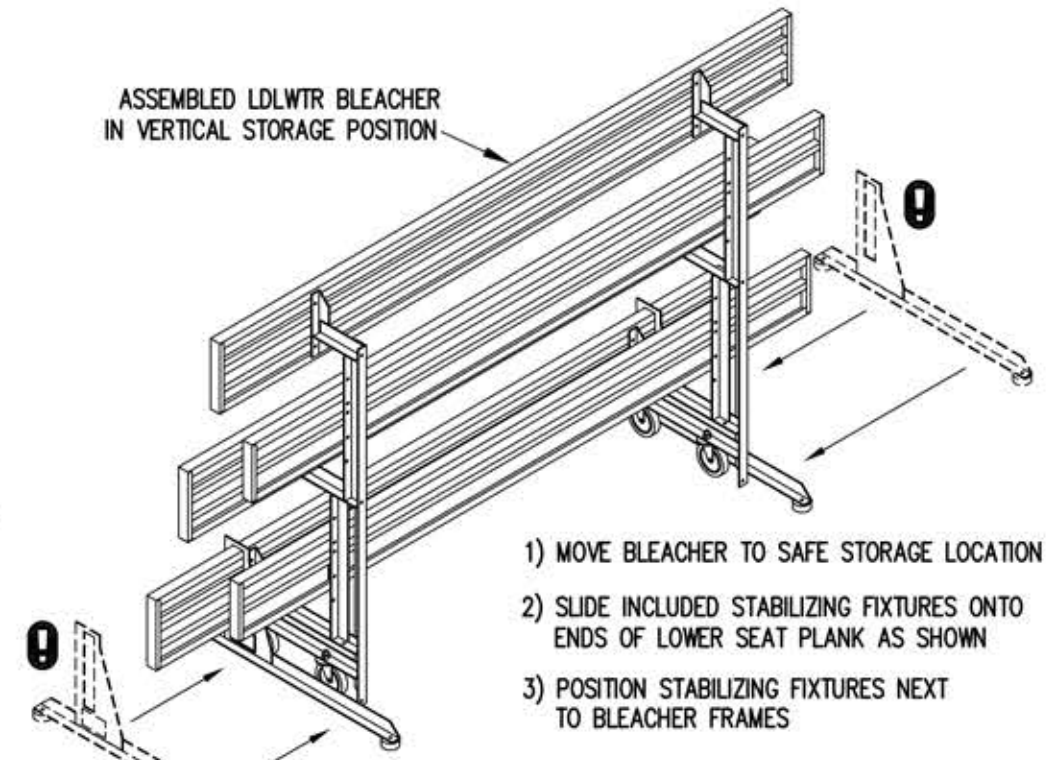
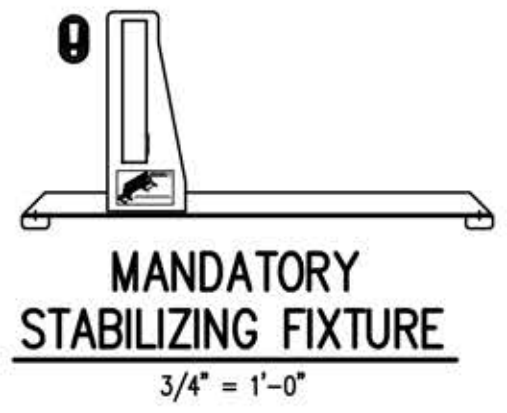
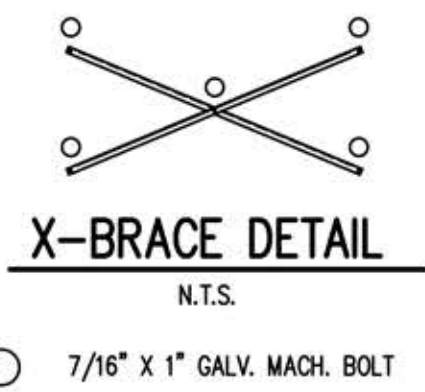


INSTRUCTION/ASSEMBLY DRAWING

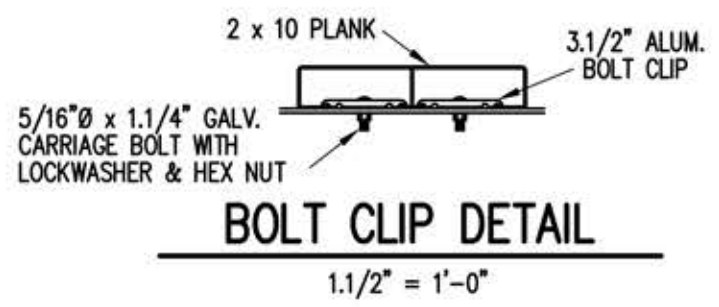


- 1) LOCATE THE CHANNEL END CAP AS SHOWN IN FIG. 1.
- 2) TAP END CAP INTO PLACE WITH RUBBER Mallet OR SOFT WOOD. FIG. 2
- 3) DRILL TWO 5/32" HOLES THROUGH THE BOTTOM FLANGE AND THE BOTTOM OUTSIDE PLANK FLANGES. INSTALL TWO 3/16" DRIVE RIVETS. (2 PER PLANK)

END CAP DETAIL
 N.T.S.



NOTE: OUTDOOR ALUMINUM INC. RECOMMENDS STORING TIP AND ROLL BLEACHERS IN THE "IN USE" POSITION WHEN POSSIBLE - WHERE VERTICAL STORAGE IS REQUIRED, ALL OUTLINED PROCEDURES AND SAFETY WARNINGS, SPECIFICALLY INCLUDING THE MANDATORY USE OF THE STABILIZING FIXTURES OUTLINED ABOVE, MUST BE STRICTLY FOLLOWED.



SIGHTLINES
 ATHLETIC FACILITIES
 CRESTWOOD, KY
 800-609-1545